

Technical sheet MINIMOB 03

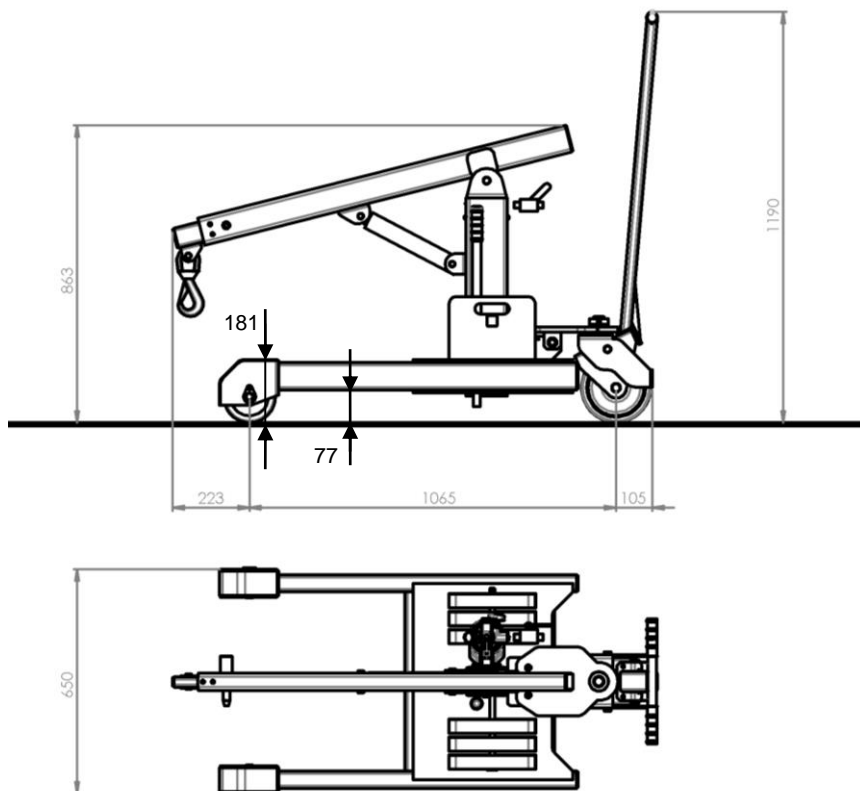
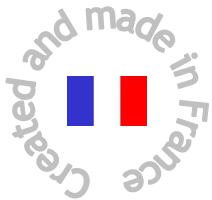
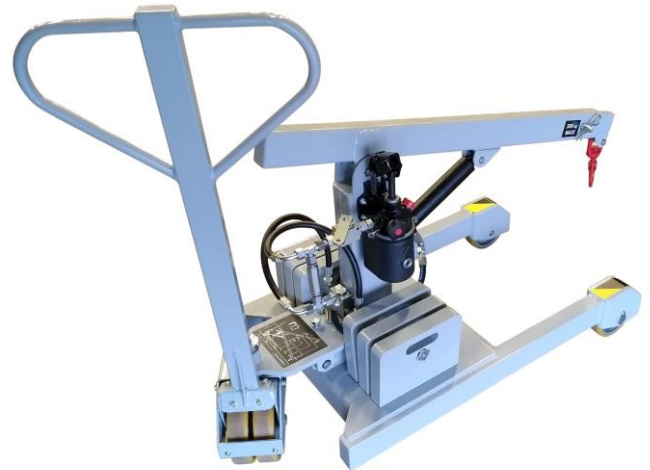
Manual cantilever workshop mini crane

2 pages

MINIMOB 03 is a manual mini crane with an extremely compact design able to lift 300kg and an additional jib with 1.10 meters reach length.

Like all the others mini cranes developed by Mobilev Cranes, this model integrates an **anti-tilt system** to provide maximum security.

To facilitate the transport, the counterweight are removable.



Technical specifications

Maximum load	300 kg
Unladen weight (with counterweight).....	240 kg
Unladen weight (without counterweight).....	120 kg
Maximum lifting height at the hook (add.jib)	1.60 m
Maximum lifting height at the hook (max.load)...	1,06 m
Wheelbase	1,06 m
Ground clearance	9,5 cm
Overall length (folded position + brake activated).....	1,40 m
Overall width	0,65 m
2 front wheels *	Ø 150x50 mm
2 back wheels *	Ø 200x50 mm

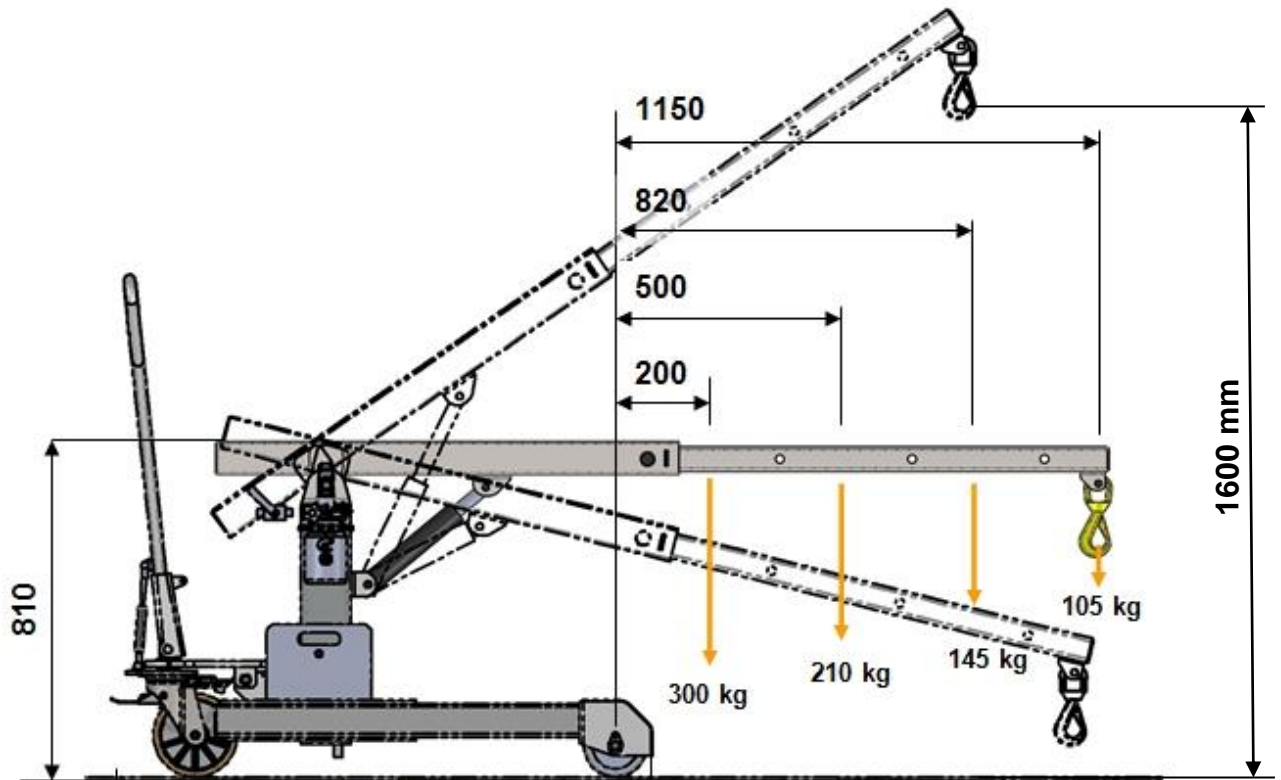
Standard equipment

- Wheel locking by pushing the tiller
- Anti-tilt device
- 6 removable counterweight (20kg)
- 4 position telescopic boom

(*) Non-marking polyurethane

Technical sheet MINIMOB 03

Manual cantilever workshop mini crane



	1	2	3	4
Distance/ front wheels axle (mm)	200	500	820	1150
Maximum load (kg)	300	210	145	105