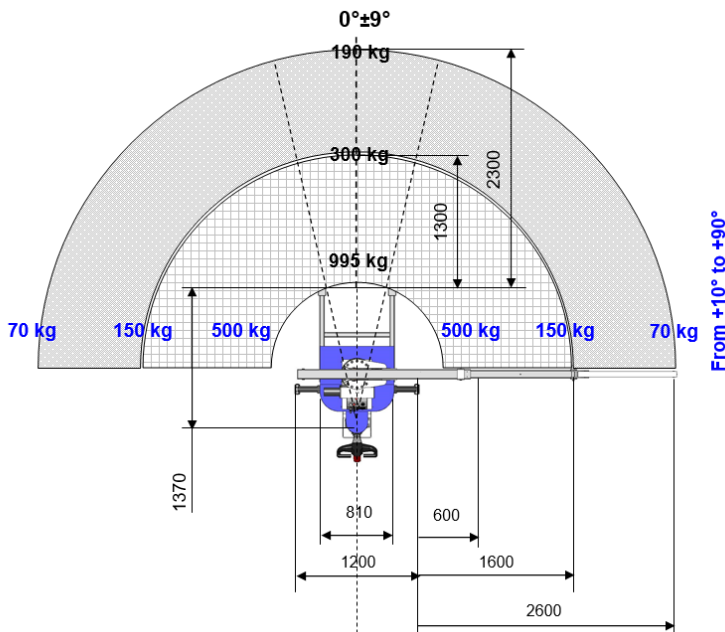
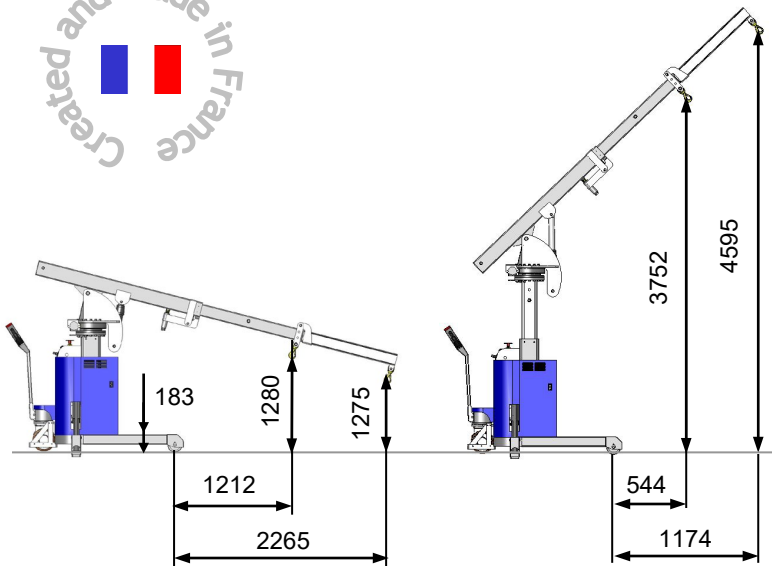
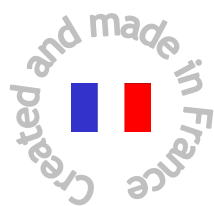




Patented model



From +10° to +90°



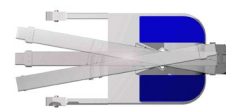
Hydraulic inclination of the boom



Hydraulic vertical mast stroke 600 mm



Hydraulic telescope



Mast rotation (180° with stabilizers)



Electric traction

Technical specifications



Maximal load	995 kg
Unladen weight	1100 kg
Traction batteries	24V – 180 Ah
Hydraulic power station engine	2,2 kW
Translation power engine	0,7 kW

Series equipments

- Proportional hydraulic distribution
- Hydraulics stabilizers
- Hydraulic rotary mast 180°
- Hydraulic inclination of the jib by double acting jack
- Hydraulic vertical mast stroke 600mm
- Hydraulic telescope
- Electric traction with variable speed drive
- Tiller with accelerator and Emergency Reverse
- Wired remote control with emergency stop and potentiometer
- Hour meter and battery charge indicator
- Vulkollan coating wheels or equivalent
- Hydraulic & electric safety devices
- Anti-tilt system

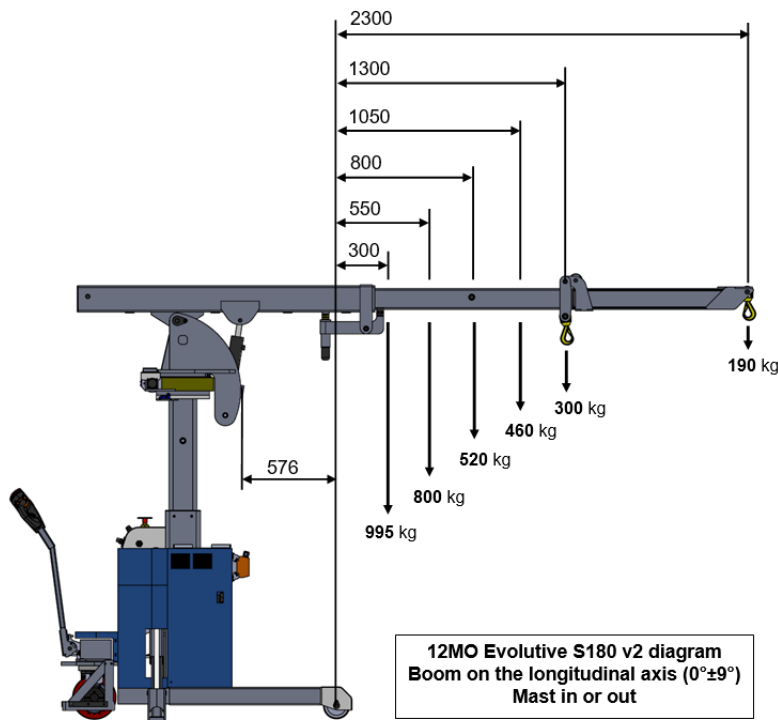
Options

- Additional jib lg=1m00
- Additional jib lg=0m35
- Electric winchs (500 kg or 300 kg)

Technical sheet I2MO Evolutive S180 v2

Self-propelled mini-crane with accompanying operator

This mini-crane has won the Artinov Innovation price



Wired
remote control with
speed adjustment
potentiometer



Clean room
model

