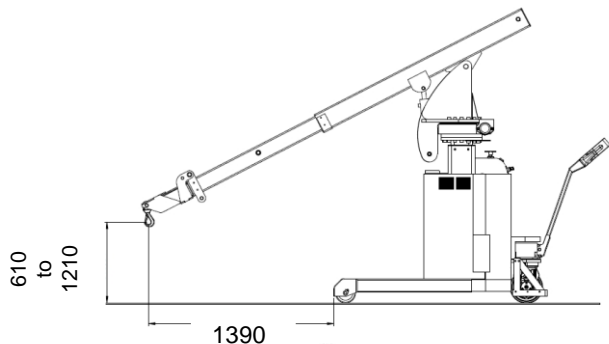
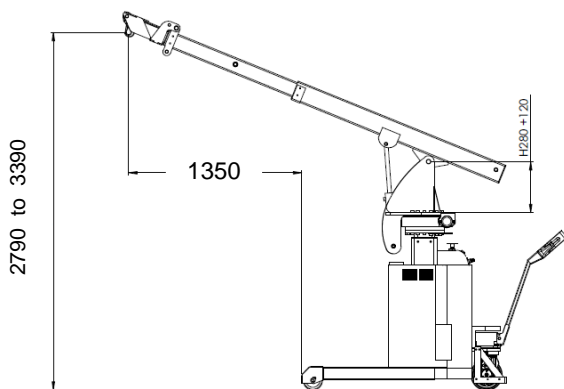


Patented model



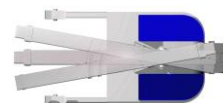
Hydraulic inclination of the jib



Hydraulic vertical mast stroke 600 mm



Hydraulic telescope



Mast rotation (18° without stabilizers)



Electric traction

Technical specifications



Maximal load	1250 kg
Unladen weight (Full option)	1000 kg
Traction batteries	24V – 180 Ah
Hydraulic power station engine	2.2 kW
Translation power engine (option)	0.7 kW

Series equipments

Hydraulic inclination of the jib by double acting jack
 2 to 4 axes wired remote control with emergency stop
 2 speeds

Hour meter and battery charge indicator
 Polyurethane coating wheels
 Hydraulic & electric safety devices

Anti-tilt system

Options

Electric traction with variable speed drive unit
 Hydraulic rotary mast 18°
 Hydraulic vertical mast stroke 600mm
 Hydraulic telescope
 Additional jib lg = 1m00

Technical sheet 12MO Evolutive V2_H+120

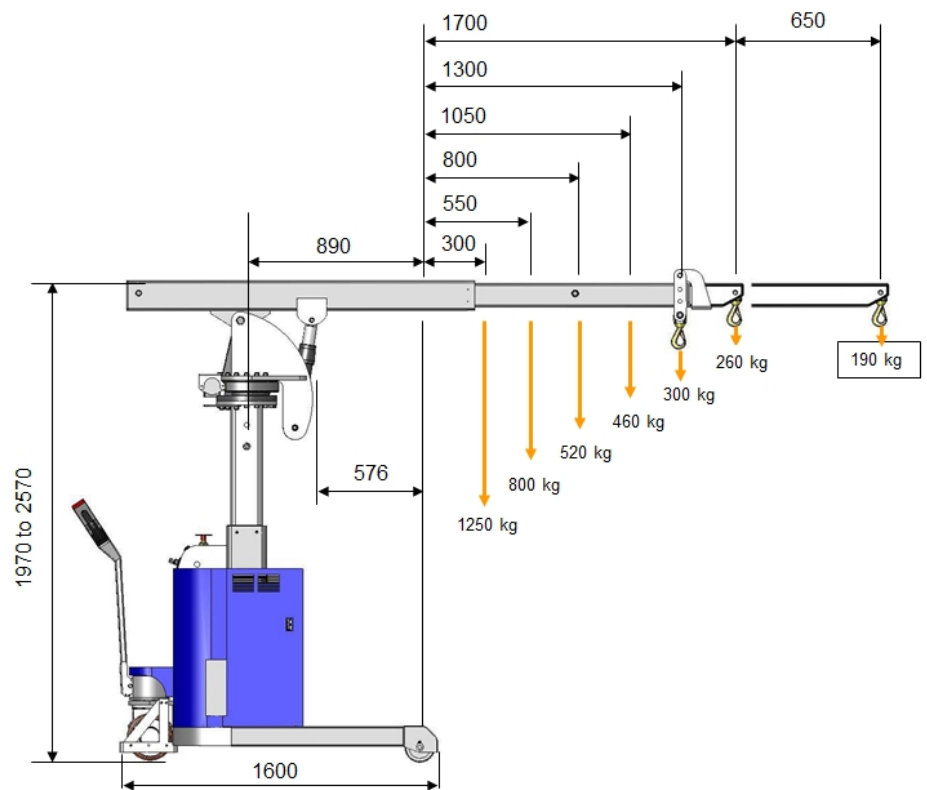
Self-propelled mini-crane with accompanying operator



Dashboard



2 to 4 axes wired remote control
2 speeds



12MO Evolutive V2 H+120 diagram (mast in or out)