

Technical sheet 35MT 3x1 FCT

Self-propelled mini-crane with accompanying operator

2 pages

Innovation 2016

The 35MT 3x1 FCT model is a compact and powerful mini-crane. It integrates a short jib with a hydraulic telescope. The jib is mounted on an 18° slewing ring (Option).

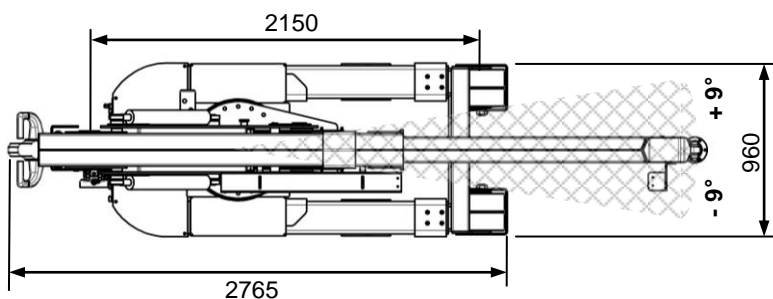
This model particularly suites for changing the molds for the injection press.

It uses a 3-cylinder kinematic system developed by Mobilev Cranes allowing a greater angular motion of the jib and a vertical lift of more than a meter by using a synchronised control of cylinders.

All speeds are adjustable from 0 to 100% with the wired remote control or with the radio remote control (optional).



Patented Kinematic



Technical specifications



Maxi load	3500 kg
Unladen weight (all options)	2950 kg
Admissible slope in IX3 (unladen cranes).....	18 %
Maxi translation speed.....	3 km/h
Adjustable lifting speed	0 à 15 cm/s
Adjustable telescoping speed	0 à 13 cm/s
Batteries	24V – 460 Ah
24V cc silent motor driven pump	4,5kW
Ø Front wheels (mm)	250 mm
Ø Back wheels (mm)	450 mm

Standard equipment

- Anti-tilt system
- 1 hydraulic drive wheel
- Polyurethane coating wheels
- Hydraulic telescopic jib
- Hydraulic drive assistance
- Automatic braking system
- Automatic parking brake
- Integrated electronic battery charger 220V~
- Wired remote control with potentiometer
- 2 storage boxes

Main options

- 18° slewing ring
- Additional jib 2 positions 790/640 kg

Mobilev Cranes

PA des Grandes Terres
1305 route de Lozanne
69 380 DOMMARTIN - FRANCE

Tél: +33 (0)4 72 88 21 05

E-mail: mobilev@mobilev-cranes.com
www.mobilev-cranes.com

Technical sheet 35MT 3x1 FCT

Self-propelled mini-crane with accompanying operator

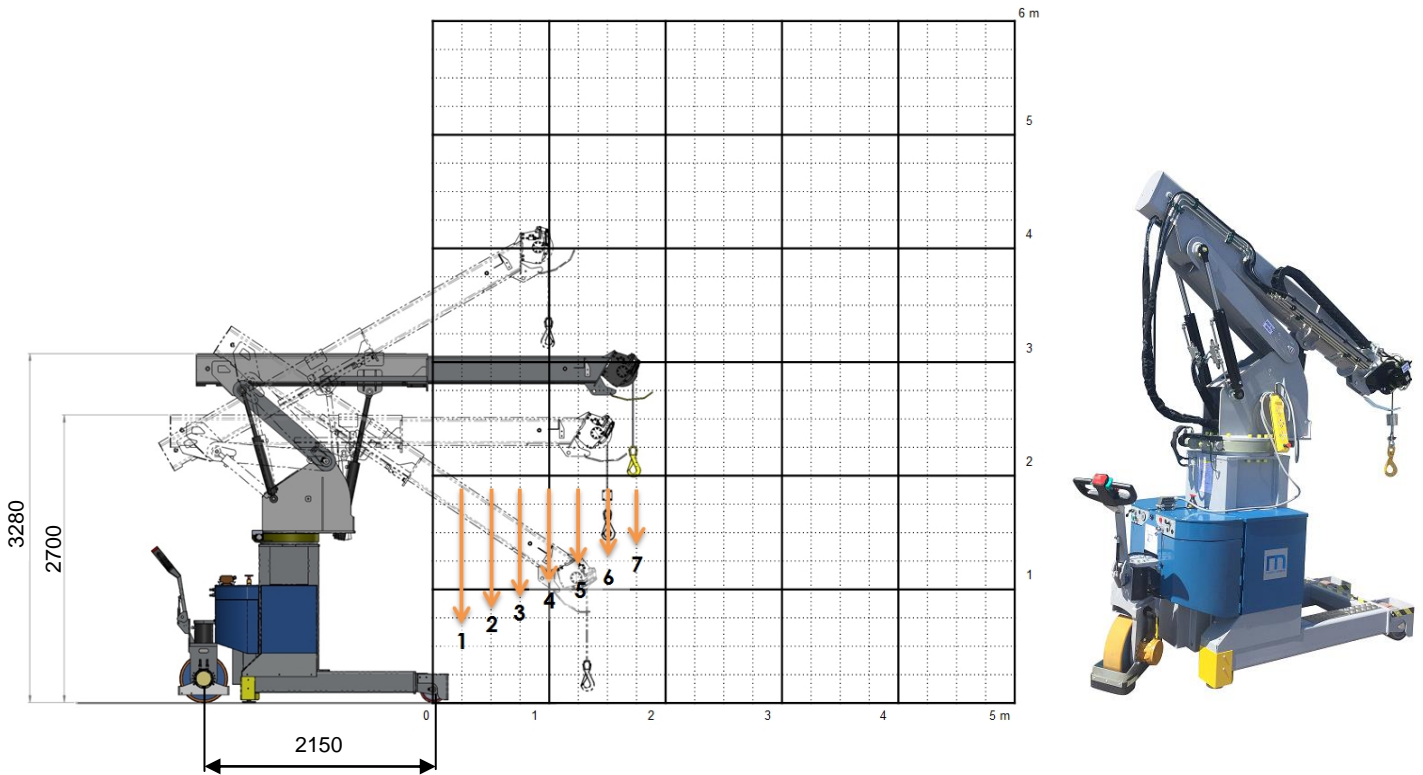


Diagram with 2600kg winch capacity without rope drive

	1	2	3	4	5	6	7
Distance/ wheels axle (mm)	250	500	750	1000	1250	1500	1850
Winch capacity (kg) au treuil	2600 (*)	2600 (*)	2600 (*)	2600 (*)	2600 (*)	1970	1450

(*) : Limited by winch

4 axes wired remote control with potentiometer

