

Technical Data Sheet 35MT 3xl FC

Self-propelled workshop mini-crane with accompanying operator

2 pages

The 35MT 3xl FC is a compact and powerful workshop mini-crane featuring a short jib with a hydraulic telescope. The jib is mounted on an 18° slewing ring (Option).

It is particularly suitable for maintenance operations or new work in a restricted space.

The design features a 3-cylinder kinematic system, developed by Mobilev Cranes, providing the jib greater angular motion and vertical lift of more than one meter by means of synchronised control of the cylinders.

All speeds are adjustable from 0 to 100% from the standard wired remote control or the proportional radio control (option).



Patented kinematic system

Technical characteristics



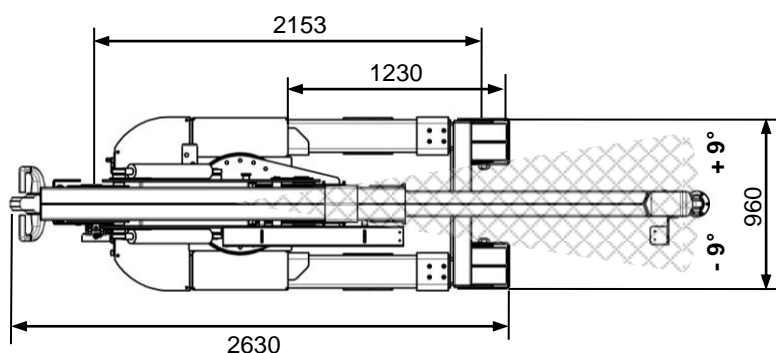
Max. load	3500 kg
Unladen weight in operation (without options)	2800 kg
Admissible slope, unladen (IX3)	18%
Max. translation speed	3 km/h
Admissible lifting speed, from	0 to 15 cm/s
Admissible telescoping speed, from	0 to 13 cm/s
Batteries	24 V – 460 Ah
24 VDC silent, motor-driven pump	4.5 kW
Ø front wheels (mm)	250 mm
Ø rear wheel (mm)	450 mm

Standard equipment

- Anti-tipping device
- 1 hydraulic drive wheel
- Wheels with non-marking polyurethane tread
- Telescopic hydraulic jib
- Control synchronised with front and rear cylinders
- Hydraulic power steering
- Automatic hydraulic braking
- Automatic hydraulic parking brake
- Onboard 220 V~ electronic battery charger
- Wired remote control with potentiometer
- 2 storage bins

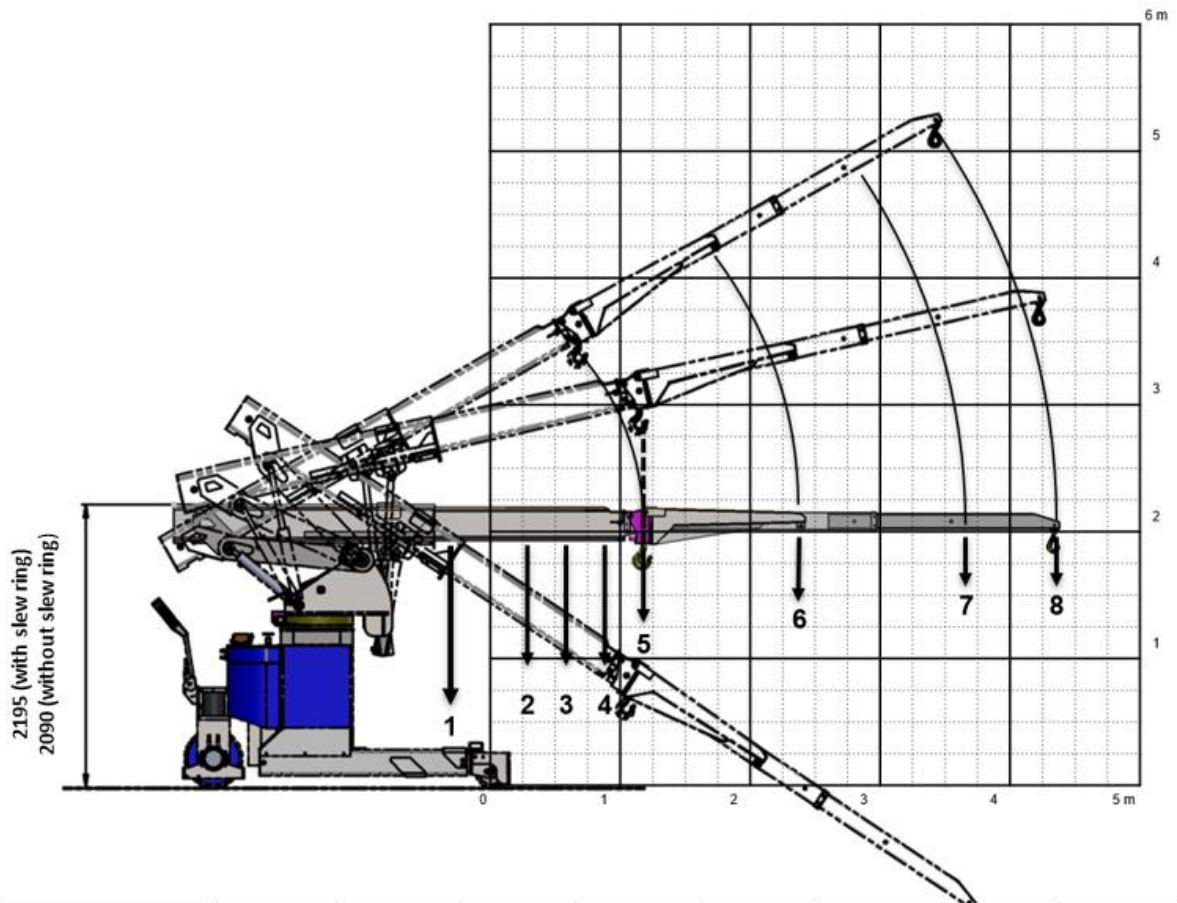
Main options

- 18° slewing ring
- Loading platform
- Additional dual-position jib, 760/540 kg
- Proportional radio control with 3 joysticks



Technical Data Sheet 35MT 3xI FC

Self-propelled workshop mini-crane with accompanying operator



	1	2	3	4	5	6	7	8
Wheel distance / axis (mm)	-275	275	575	875	1175	2400	3610	4360
Capacity (kg)	3600	2700	2360	2100	1890	1200	760	540

Wired remote control
with speed control
potentiometer

