

MINIMOB O2 Technical sheet

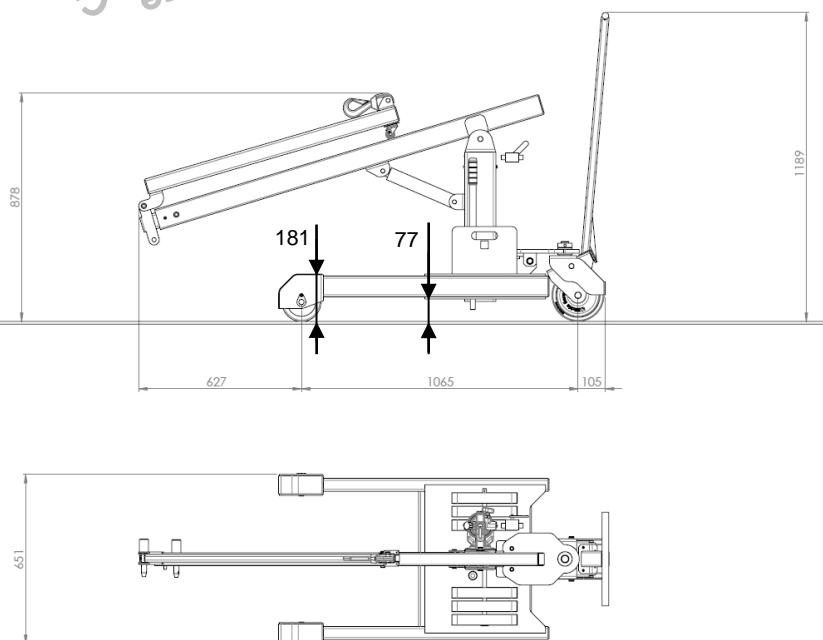
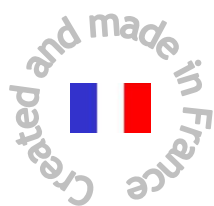
Manual cantilever workshop mini crane

2 pages

MINIMOB O2 is a manual mini crane with an extremely compact design and an additional jib with 3 meters reach length.

Like all the others mini cranes developed by Mobilev Cranes, this model integrates an **anti-tilt system** to provide maximum security.

To facilitate the transport, the counterweights are removable.



Technical specifications



Maximum load	210 kg
Unladen weight (with counterweights)	250 kg
Unladen weight (without counterweight).....	130 kg
Maximum lifting height at the hook (add.jib)	2,46 m
Maximum lifting height at the hook (max.load)...	1,23 m
Wheelbase	1,06 m
Ground clearance	9,5 cm
Overall length (folded position + brake activated).....	1,80 m
Overall width	0,65 m
2 front wheels *	Ø 150x50 mm
2 back wheels *	Ø 200x50 mm

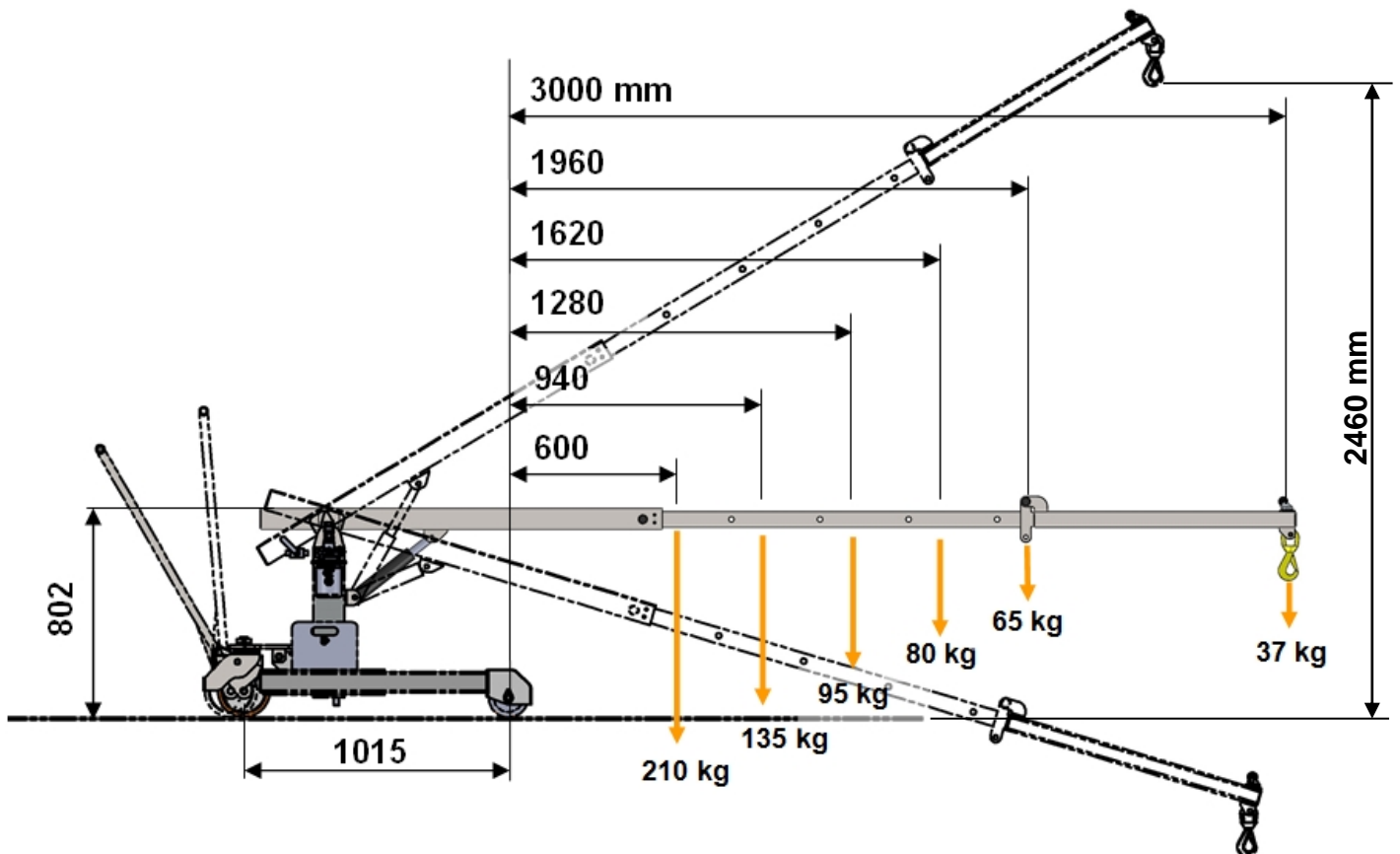
Standard equipment

- Wheel locking by pushing the tiller
- Anti-tilt device
- 6 removable counterweights (20kg)
- 5 position telescopic boom
- Additional jib Im00

(*) Non-marking polyurethane

MINIMOB 02 Technical sheet

Manual cantilever workshop mini crane



	1	2	3	4	5	6
Distance/ front wheels axle (mm)	600	940	1280	1620	1960	3000
Maximum load (kg)	210	135	95	80	65	37